

# AS-DG2 DIGITAL PRESSURE GAUGE ACCURACY: $\pm 0.4\%$



AS-DG2 is a precise digital pressure gauge. It has a precision sensor and displays pressure accurately in real time with good long-term stability. AS-DG2 is equipped with a large size 5 Digit LCD, featuring with functions of zero clearing, backlight, on/off button, units switching. It is convenient to install and easy to operate. The housing and connector of AS-DG2 are made of stainless steel 304 with excellent vibration resistance. It can be used to measure gas, liquid, oil and other noncorrosive medium of stainless steel. AS-DG2 is applicable to portable pressure measurement and equipment supporting and calibration fields

## Features

- 5 digital LCD showing the pressure accurately in real time
- Different pressure units available ( kPa, PSI, Kg/cm<sup>2</sup> , BAR, MPa); zero clearing; backlight; on/off button; low voltage alarm
- Peak record (the maximum and the minimum)
- Battery-powered, low power design keeping it working more than 12 months

## Application

- Machinery and electronics
- Supporting equipment of instruments
- Pressure laboratory
- Mechanical engineering automation

## Specification

Pressure Range 0- 1 Bar onwards upto 0-600bar

Over Pressure: 150%

Backlight Color: White

Dial Size: 100mm

Accuracy: 0.4%FS

Long-term Stability: Typical: ±0.2%FS/year

Operating Temperature: -20 - 60 °C

Compensated Temperature: 0 ~40 °C

Electric Protection: EN61326

Sampling Frequency: 5 Times/sec

Measurement Medium: Gas, water, oil

Pressure Connection: M20\*1.5, G1/4, G1/2, NPT1/2, NPT1/4

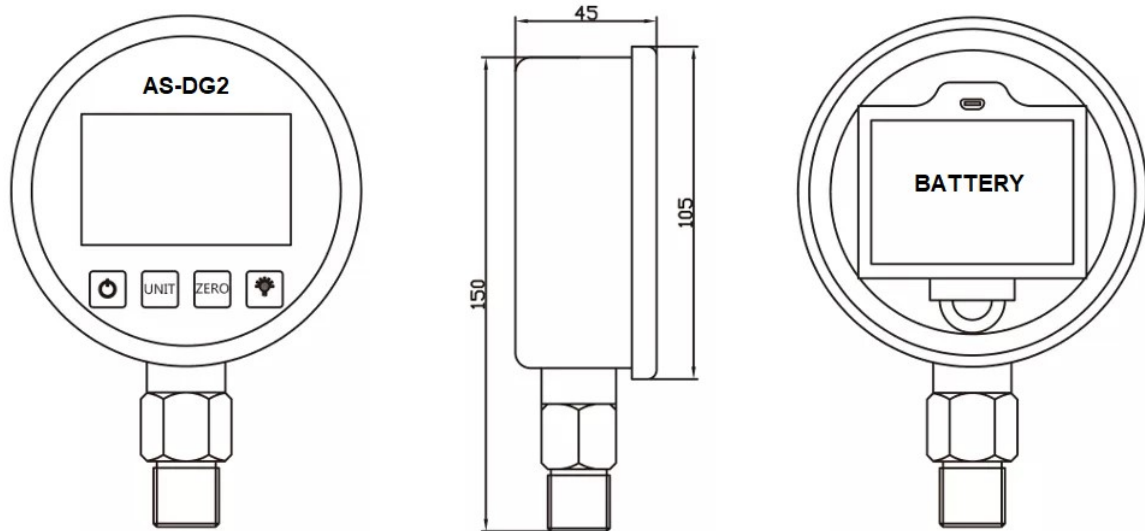
Connector Material: 304SS

Shell: 304SS

Supply Battery: (Triple A battery)

Weight: 0.35Kg

## DIMENSION



## PROCESS CONNECTIONS

Type	C1: M20×1.5	C3: G1/4	C7: NPT1/2
Dimension In mm			

Note: Common threads are M20×1.5, G1/4, G1/2, M14×1.5, NPT1/4 and NPT1/2. Special threads can be customized for batch order.